

Weighing pallet truck

Weighing pallet truck with GI410i LCD indicator and optional printer



FEATURES:

- Pallet truck weigher. In EC-M approved version also available.
- Built in painted steel.
- With load cells IP68.
- Wheels with a polyurethane outer Shell.
- 2 versions:
 - Without printer.
 - With printer.

GI410i LCD INDICATOR:

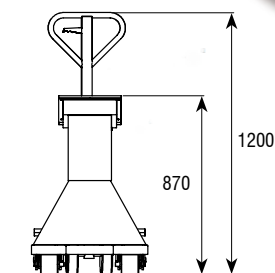
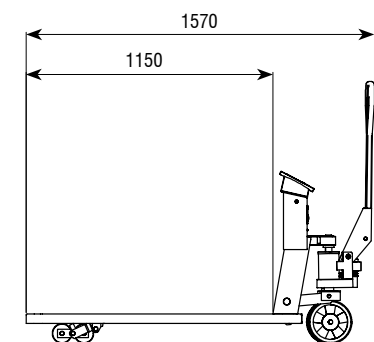
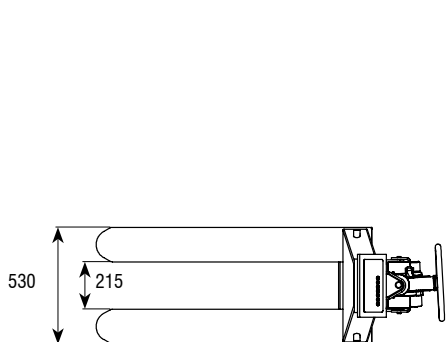
- Weight tare digital indicator
- Stainless steel housing.
- IP54 or IP65 protection.
- Backlight LCD display. With digits of 40 mm.
- Wall support included. .
- Power supply 230Vac.
- 2 output RS232 are included.
- Unique range, multi-range or multi-interval.
- Units: kg.
- Approval 6.000 divisions OIML class III and IV.
- EC approval.

FUNCTIONS:

- Weight accumulation: automatic / manual
- Totalization on screen
- Gross / Net
- Manual tare and pretare
- Back to zero
- Piece counting function
- Checkweigher with LCD signal
- Function division 1/10 verification. Display for a few seconds.

PRINTING:

- Programmer of three headings
- Printer languages (Spanish, french, portuguese, italian, english).



Certifications	
ENAC	
Code #	
900004	
900004	
900004	
900004	

Code #	Description	Capacity (kg)	Readout (kg)	Printer	Packing dimensions (mm)	Packing weight (kg)
290001	Painted steel TP410 with GI410i LCD indicator	1000/2000	0,2/0,5		1600x600x1400	118
290002	M Painted steel TP410 with GI410i LCD indicator	1000/2000	0,5/1		1600x600x1400	118
290003	Painted steel TP410 with GI410i LCD indicator	1000/2000	0,2/0,5	•	1600x600x1400	118
290004	M Painted steel TP410 with GI410i LCD indicator	1000/2000	0,5/1	•	1600x600x1400	118
Code#	Accessories					
220021	Wifi communication board for TP410					
220008	Additional memory ALIBI/DSD					