



## For immediate in-situ weighing

- Two in one: portable scale and pallet jack.
- Simple use: raising and weighing, without shifting the load.
- Tare function of the pallet or receptacle.
  - Long-life rechargeable battery, more than 30 hours of continuous use.
  - With RX3 precision steel sensors.
  - LED display for distance reading.



### Functions:

- Adjustment to zero.
- Receptacle tare.
- Accumulation of weighings.
- Piece counter function.
- Hold function, last-weighing memory.



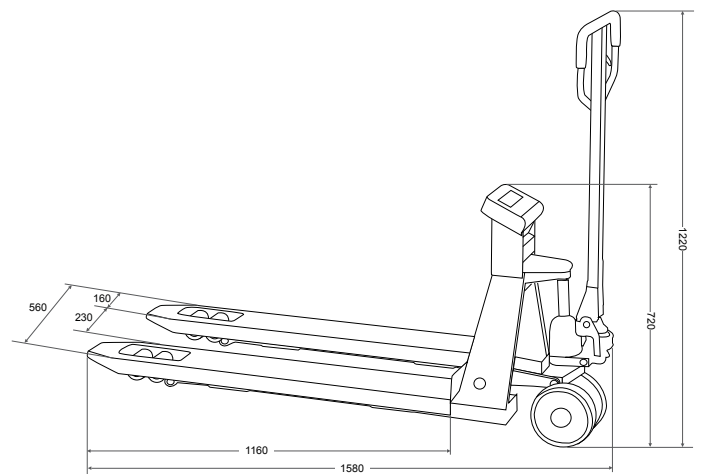
**Effortless raising and weighing**

In one operation it can raise the load, calculate the exact weight and move the pallet towards its destination, gaining time. With your TCamel S you will not need many scales. This one alone will do all the work, wherever you need it.

Model	TCamel S
Reference	60079
Capacity	2,000 kg
Resolution	1,000 g
Weighing units	kg
Piece counter quantities	10, 25, 50, 100
Indicator material	ABS
Display	LED
Segments	6 digits
Digit height (mm)	25
Sealing protection	IP-54
Power	6-V battery / 4 Amp/h
Battery duration	30 / 60 hours
Working temperature	+0°C / +40°C
Material of the structure	Steel
Material of the wheels	Polyurethane
Bracket dimensions (mm)	1160 x 560
External dimensions (mm)	1580 x 560 x 1220
Total net weight (kg)	87
Packaging dimensions (mm)	1550 x 580 x 445
Total weight with packaging (kg)	99

**External dimensions (mm)**

TCamel S



Ref.	Accessories
8030	ISOCAL certificate from 1501 kg to 3000 kg
61136	Individual packaging